

CLEARANCES:

Install the oven with a minimum 1 inch clearance on sides and back to combustible construction. Consult the manual for enclosure instructions.

VENTING:

The oven can be vented in two methods:
 1) Direct vent using 8 inch chimney pipe listed to UL 103 HT and installed per UL 737.
 2) Indirect vent using a Type 1 hood system installed per UL 2162.

GRANITE MANTLE:

Stainless steel shelf bolts to oven. 1" thick granite provided by installer.

WEIGHT: 3700 lbs.

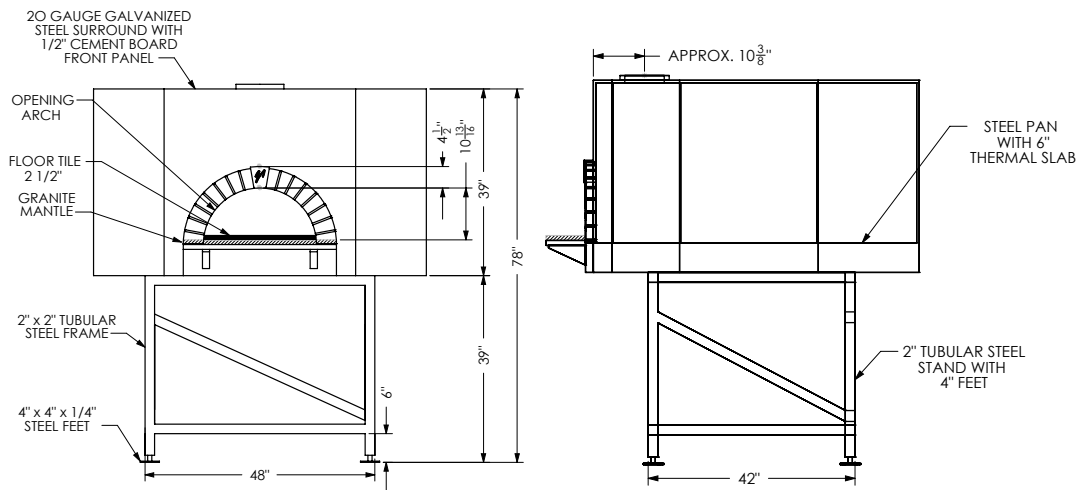
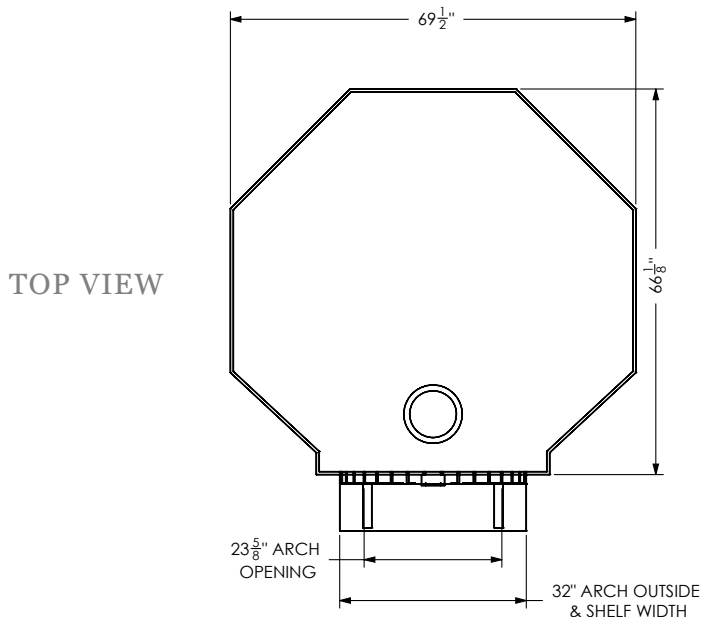
UTILITIES:

No electricity or gas required.

NOTE:

The oven should be installed in accordance with all relevant local and national codes and in a manner acceptable to the authority having jurisdiction.

Progressive changes in technology and product development may necessitate changes to specifications without notice.



UL 2162 and UL 737

ANSI/NSF-4

© COPYRIGHT 2011, Mugnaini Imports, Inc.
 May not be used without permission of copyright holder.



Mugnaini Imports, Inc.

11 Hangar Way, Watsonville CA 95076

888.887.7206 | 831.761.1767 | Fax: 831.728.5570

www.mugnaini.com | mugnaini@mugnaini.com