

THE NEAPOLITAN IS THE ESSENTIAL TOOL FOR CREATING *VERA PIZZA NAPOLETANA*—THE ORIGINAL PIZZA OF NAPLES. THIS OVEN HAS BEEN APPROVED BY THE VPN ASSOCIATION IN ITALY.

OVERVIEW:

The Neapolitan oven is built to the strict standards required to achieve the consistent high temperatures needed to bake a 60–90 second Neapolitan style pizza all day long. The oven has been listed to UL 737 & ANSI/NSF-4

INSTALLATION:

Install the oven with a minimum 1–inch clearance on sides and back to combustible construction. Install oven on a masonry base or optional steel stand.

VENTING:

The oven works with a natural draft. Vent in accordance with NFPA 211 and NFPA 96. The oven does not require automatic fire-extinguishing equipment. Chimney must terminate to a listed chimney cap with spark arrestor.

SHELF:

Stainless steel shelf bolts to oven. Shelf to be covered with non-combustible material provided by installer.

WEIGHT: 3800 lb.

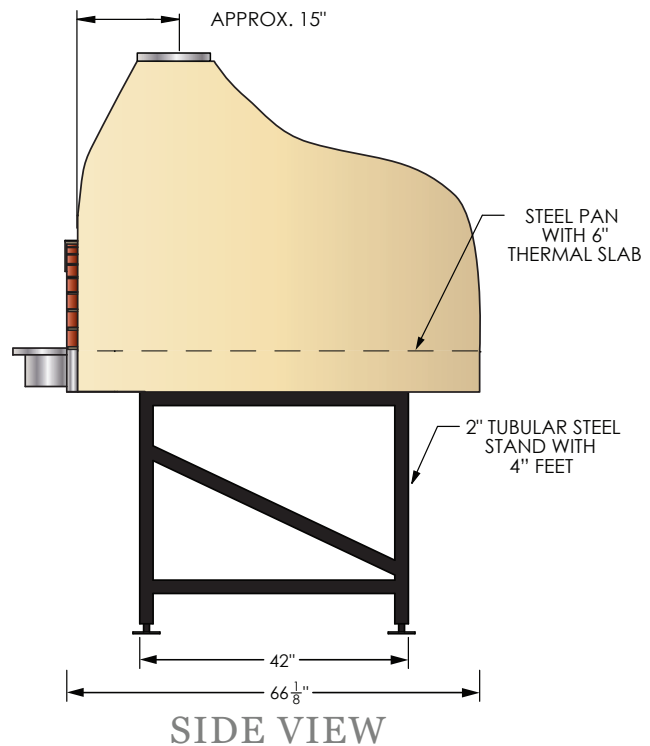
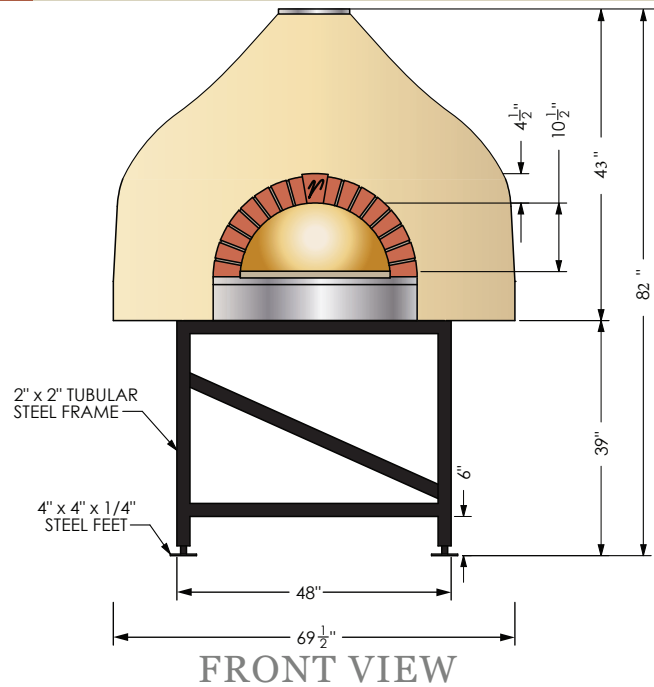
UTILITIES:

No electricity or gas required.

NOTE:

The oven should be installed in accordance with the installation instructions only.

Progressive changes in technology and product development may necessitate changes to specifications without notice.



© COPYRIGHT 2011,
Mugnaini Imports, Inc.
May not be used without
permission of copyright holder.



Mugnaini Imports, Inc.

11 Hangar Way, Watsonville CA 95076

888.887.7206 | 831.761.1767 | Fax: 831.728.5570

www.mugnaini.com | mugnaini@mugnaini.com